

## UNITRONIC® BUS ASI FD

High flexible AS-INTERFACE cables for networking systems in the field

Communication at sensor/actuator level. Halogen free (PUR), UL-approval, oil resistant (TPE). Temperature range from -40°C bis +105°C (TPE)

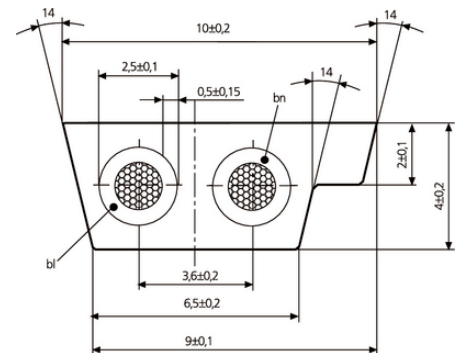
### Info

"FD" = suitable for power chains

"LD" = Long Distance

LAPP KABEL STUTTGART UNITRONIC® BUS ASI FD

LAPP KABEL STUTTGART UNITRONIC® BUS ASI FD



Supplementary automation components from Lapp



Mechanical and plant engineering



Halogen-free



Oil-resistant



Power chain



Temperature-resistant

### Benefits

The new BUS ASI LD 2 x 2.5 (Long Distance) allows even modules located further away to be connected.

AS-I power supplies can be reduced. The BUS ASI LD is downwards-compatible with version 1.5.

For highly flexible applications (power chains, moving machine parts)

High oil-resistance

### Application range

Communication at sensor/actuator level

Last Update (12.06.2023)

©2023 Lapp Group - Technical changes reserved

Product Management [www.lappkabel.de](http://www.lappkabel.de)

You can find the current technical data in the corresponding data sheet.

PN 0456 / 02\_03.16

## UNITRONIC® BUS ASI FD

Sensor-/actuator wiring

### Product features

PUR versions are halogen-free according to IEC 60754-1

Flame-retardant according to IEC 60332-1-2, UL FT-2 flame test

Data and power are transmitted via an unscreened, geometrically coded two-core flat cable (protection against polarity reversal).

The conductor is contacted by "piercing technology" within the ASI modules.

The sensors are connected to the ASI modules (coupling modules) using round cables (connection cables).

### Norm references / Approvals

ASI is standardised Europe-wide in EN 50295 and internationally in IEC 62026-2.

TPE variant: UL AWM Style 2103

CSA AWM II A/B

### Product Make-up

Extra-fine wire, tinned copper strands

core insulation: halogen-free compound

Outer sheath:

TPE

PUR

Outer sheath: yellow (RAL 1023), black (RAL 9005)

### Technical Data

Classification ETIM 5:	ETIM 5.0 Class-ID: EC000830 ETIM 5.0 Class-Description: Data cable
Classification ETIM 6:	ETIM 6.0 Class-ID: EC000830 ETIM 6.0 Class-Description: Data cable
Peak operating voltage:	300 V (not for power applications)
Conductor resistance:	1.5 mm <sup>2</sup> : max. 13.7 Ohm/km 2.5 mm <sup>2</sup> : max. 8.21 Ohm/km
Minimum bending radius:	Fixed installation: 12 mm Flexing without fixing: 24 mm Flexing with fixing: 60 mm (15 x D)
Test voltage:	Core/core: 2000 V
Temperature range:	Fixed installation: -40 °C to +80 °C (TPE +105 °C) Flexing – without fixing: -30 °C to +70 °C (TPE +105 °C)

### Note

Unless specified otherwise, the shown product values are nominal values. Detailed values (e.g. tolerances) are available upon request.

Copper price basis: EUR 150/100 kg. Refer to catalogue appendix T17 for the definition and calculation of copper-related surcharges.

Please find our standard lengths at: [www.lappkabel.de/en/cable-standardlengths](http://www.lappkabel.de/en/cable-standardlengths)

Lapp Kabel is a member of the AS-International Association

Photographs and graphics are not to scale and do not represent detailed images of the respective products.

Prices are net prices without VAT and surcharges. Sale to business customers only.

**UNITRONIC® BUS ASI FD**

Article number	Article designation	Outer sheath colour	Application	Number of cores and mm <sup>2</sup> per conductor	Copper index (kg/km)	Weight (kg/km)
For highly flexible applications (power chains, moving machine parts)						
2170357	UNITRONIC® BUS ASI FD P FRNC	yellow	Data and power transmission	2 x 1.5	29	64
2170358	UNITRONIC® BUS ASI FD P FRNC	black	Transmission of 30 V DC auxiliary power	2 x 1.5	29	64
2170317	UNITRONIC® BUS ASI LD FD P	yellow	Data and power transmission	2 x 2.5	48	74
2170318	UNITRONIC® BUS ASI LD FD P	black	Transmission of 30 V DC auxiliary power	2 x 2.5	48	74
For high flexible application - TPE UL/CSA (AWM)						
2170830	UNITRONIC® BUS ASI FD (TPE) A	yellow	Data and power transmission	2 x 1.5	29	64
2170831	UNITRONIC® BUS ASI FD (TPE) A	black	Transmission of 30 V DC auxiliary power	2 x 1.5	29	64

Last Update (12.06.2023)

©2023 Lapp Group - Technical changes reserved

 Product Management [www.lappkabel.de](http://www.lappkabel.de)

You can find the current technical data in the corresponding data sheet.

PN 0456 / 02\_03\_16